

## Display Stand CIRCLE Menu Stand /210x594mm/black end cap

product cod: 8A22104-01-201

category: all categories > Office > display stands



Manufacturer: Aspro

**£144.00**

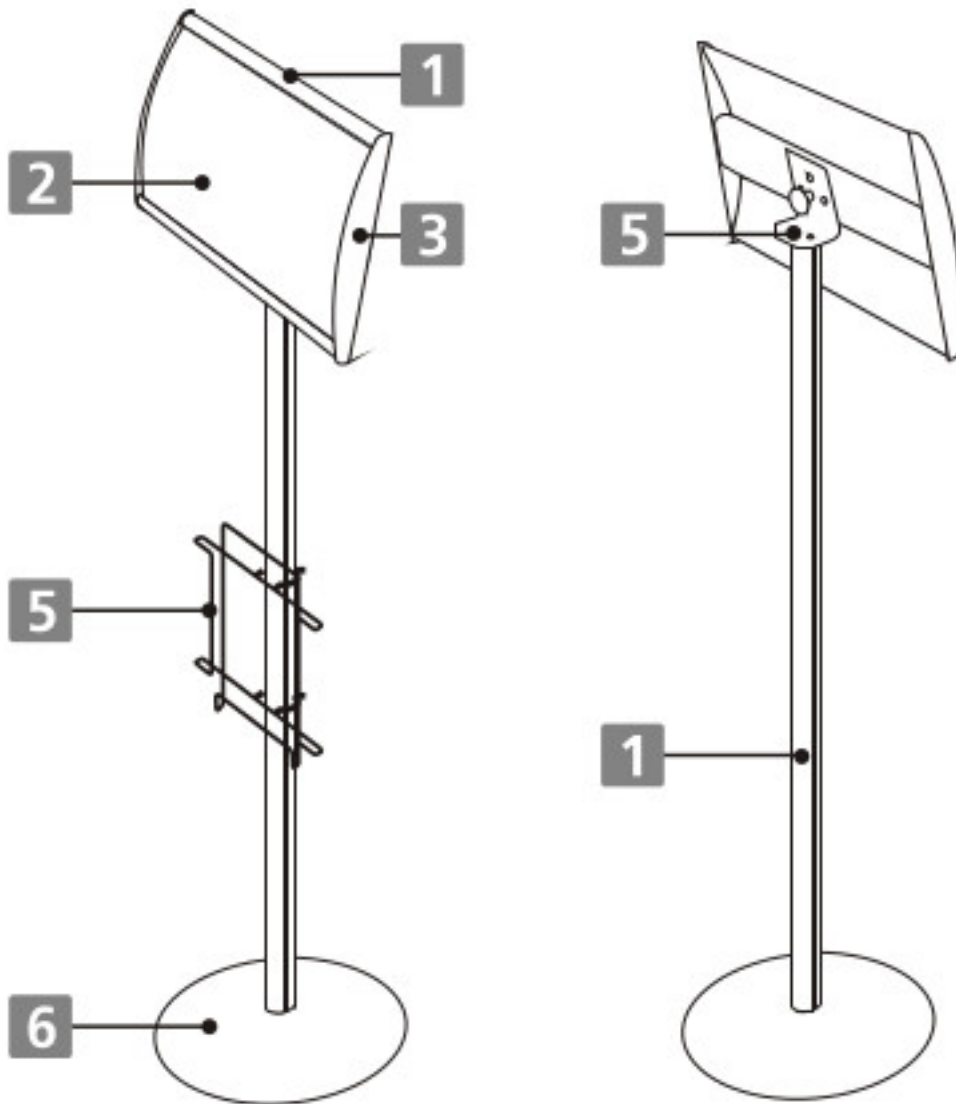
QR code:



## Display stands with swivel adjustable boards

CIRCLE STAND is a series of menu stands with swivel panels to display information or advertisements that must be frequently updated. Our display stands are durable, visually attractive and incredibly functional products made of high-quality aluminium profiles. As a rule, they are silver or gold anodised.

Menu stands feature a very heavy base plate, which makes them really stable and well-balanced. That's why they are perfect signs for busy places where the traffic's quite big. Aluminium CIRCLE display stands are available with black or grey end caps. Their distinct curved face makes an unusual display surface, elegant and smart.



## Picture

- 1** Alum
- 2** Post
- 3** PVC
- 4** Horiz
- 5** A4 b
- 6** Stee

**i** Non

So called menu stands from CIRCLE collection have simple but manifold purposes: they present information that must be frequently updated - moreover, it's an ideal solution at conferences, assemblies, to display an advert or give directions in banks, hotels, schools, offices, restaurants. Display stands are used to highlight a menu, promotional and special offer info, or other important messages.

As our CIRCLE display stands have attractive look and are made of the highest-quality materials, many banks, offices, restaurants are proud to present them. Due to their undeniable assets, CIRCLE menu holders appeal to a broad group of users of visual information. The great advantage of our display stands is that they can be set both vertically and horizontally. It guarantees an optimal presentation of the info.

The main assets of CIRCLE DIRECTION menu stands are:

- Aluminium profiles - light but durable, with hardened surface
- PVC end caps in black or grey
- Stable and well-balanced base plate prevents the stand from falling over
- Transparent anti-glare panel protects the information insert from fading out and damage
- Circle90 swivel system enables mounting the board vertically or horizontally
- A4 brochure holders can be attached to our display stand (available)

The sign's price does NOT include the cost of creating the graphic design of the information insert or its production cost. Our graphic design studio can design and manufacture the graphic for your individual information insert on request. Buying our signage boards, you purchase from the sign producer who has been expanding their portfolio since 1998, a leading manufacturer

providing comprehensive and versatile Visual Identification Systems, a professional in the field of cutting-edge solutions for architecture of object and spaces.

**SPECIFICATION:**

Information display stand CIRCLE menu stand 210x594mm.

Code: 8A22104-01-201.

Colour: silver

End caps colour: black

Made of anodized aluminium profiles.

Base plate: round, grey, steel.

Information board set: vertical/horizontal (adjustable).

One display surface (210 x 594mm)

The informative insert is protected with a transparent anti-reflexive panel.